

LOW POWER CONSUMPTION & HIGH PRESSURE . 24X7 NON STOP USE



FEATURES

- Impact-resistant rubber diaphragm and valve
- Unique structure with good heat dissipation and low noise
- High air output
- Plastic air dividers included, and metal dividers available upon request
- Widely used in fish farms, ponds and aquariums

LP-100 100W/ 140L Minute

Low Noise



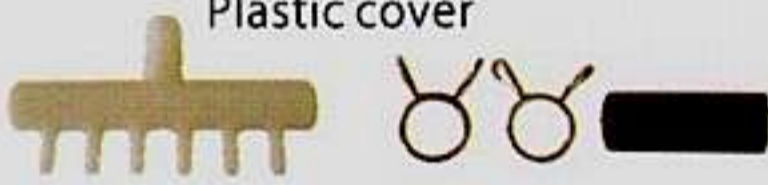
LP100

Aluminum cover



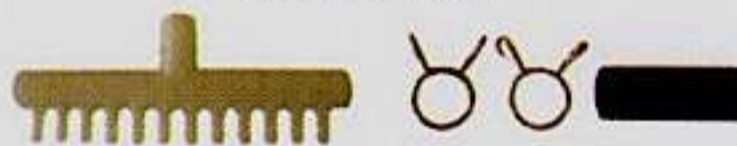
LP20

Plastic cover



LP40

Plastic cover



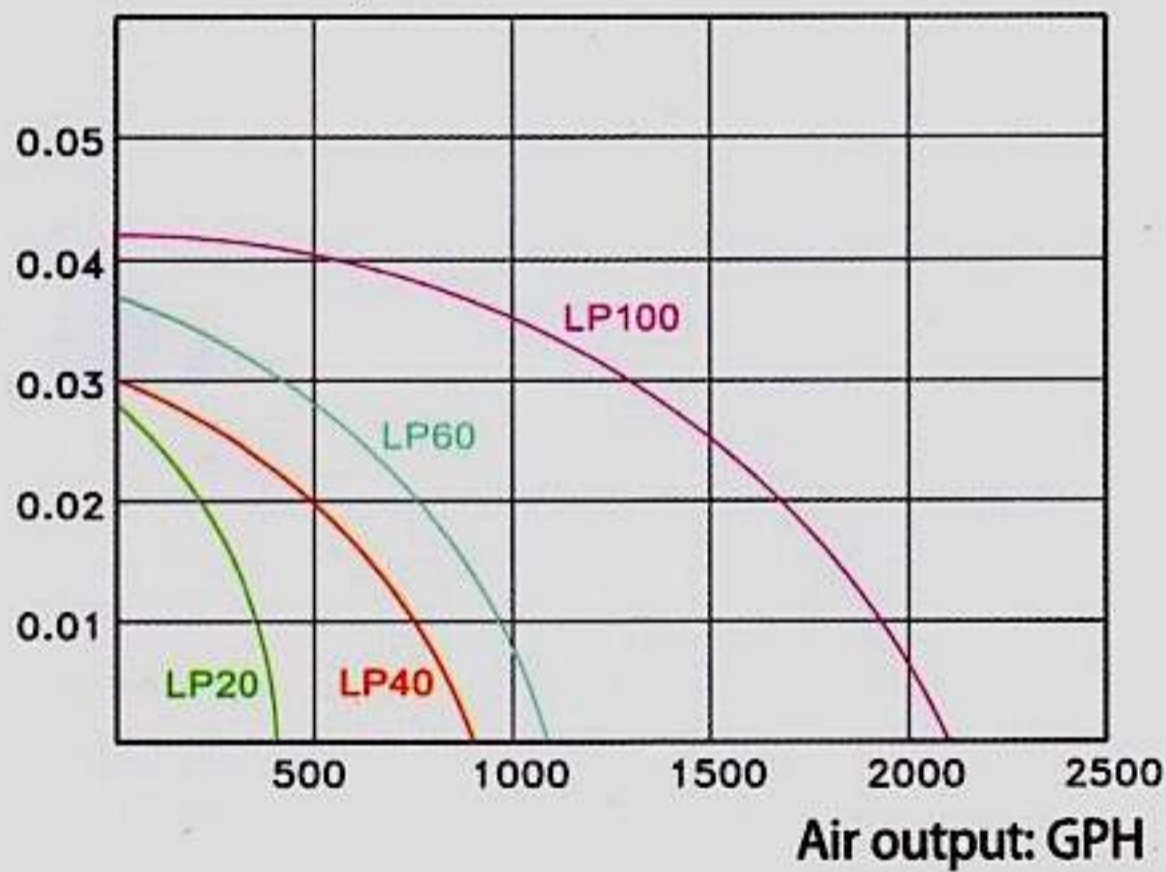
LP60

Aluminum cover

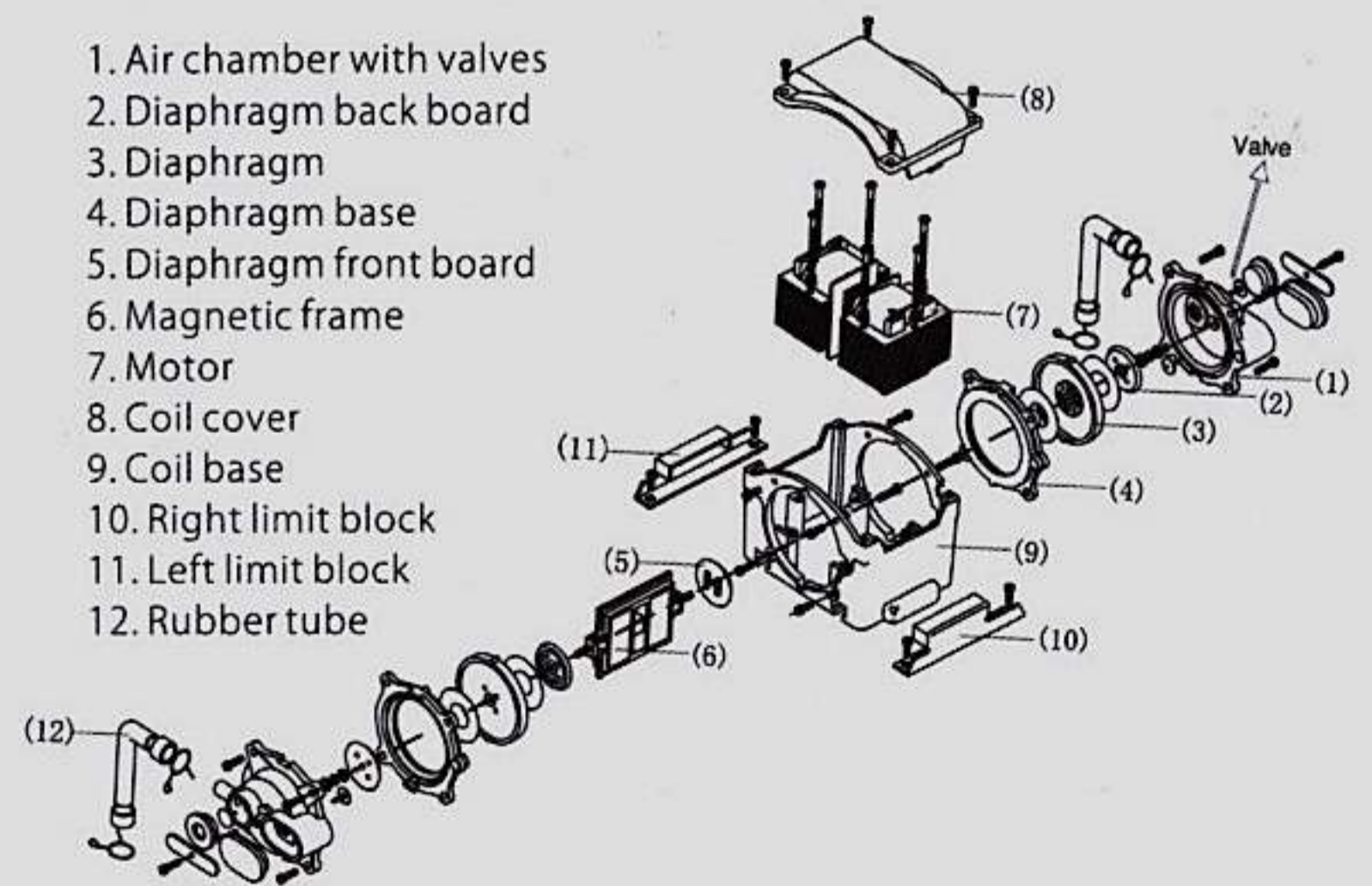


MODEL PARAMETERS

Air pressure:Mpa



1. Air chamber with valves
2. Diaphragm back board
3. Diaphragm
4. Diaphragm base
5. Diaphragm front board
6. Magnetic frame
7. Motor
8. Coil cover
9. Coil base
10. Right limit block
11. Left limit block
12. Rubber tube



MODEL	VOLT. FREQ.	POWER	AIR FLOW	PRESSURE	AIR STONE'S MAX DEPTH IN WATER	AIR DIVIDER OUTLETS	DIMENSION
LP20	100~120V / 220~240V 50/60Hz	17W	1500 L/H 400GPH	0.028Mpa	2.2m	6	215x145x170mm
LP40	100~120V / 220~240V 50/60Hz	35W	3000 L/H 800GPH	0.030Mpa	2.8m	12	258x174x190mm
LP60	100~120V / 220~240V 50/60Hz	50W	4200 L/H 1110GPH	0.037Mpa	3.5m	14	262x202x213mm
LP100	100~120V / 220~240V 50/60Hz	100W	8400 L/H 2220GPH	0.042Mpa	4.0m	33	293x200x227mm

RESUN -BIOFLOC AIR PUMPS -DISTRIBUTOR , AQUASSTAR , CHENNAI

AQUASSTAR , No 5, Westmada street ,Kolathur, Chennai-600099
aquasstar@yahoo.com contact Wats app 9840498984, 9003029996