



ALL INDIA DISTRIBUTORS  
**AQUASSTAR**  
 NO:5, WEST MADA STREET, KOLATHUR, CHENNAI-600099.

园艺泵  
 POND PUMP

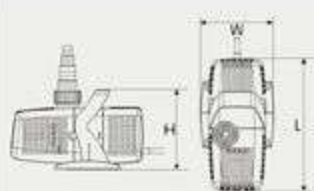
SUITABLE FOR  
 POND FILTERS &  
 FOUNTAINS



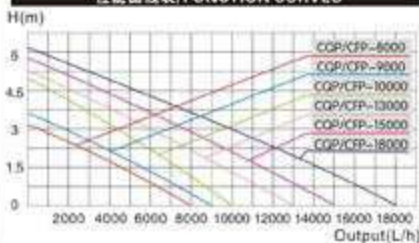
FEATURES

- High performance standard asynchronous motor with new design, and energy saving up to 50% than before
- High-strength ceramic shaft and wear, long service life.
- It has good waterproof, high dielectric strength, it is safe and reliable.
- You can use it as pumping and filtration fountain.
- Apply to ponds, with water recycling equipment matching

型号 (Model)	额定电压 (Voltage)	额定频率 (Frequency)	额定功率 (Power)	最大扬程 (H-max)	最大流量 (Output)	电源线长度 (Cable Length)	L (mm)	W (mm)	H (mm)
CQP-8000	110V/220V/240V	50Hz/60Hz	70W	3.2m	8000L/h	10m	275	152	165
CQP-9000	110V/220V/240V	50Hz/60Hz	95W	3.6m	9000L/h	10m	275	152	165
CQP-10000	110V/220V/240V	50Hz/60Hz	155W	5.0m	10000L/h	10m	275	152	165
CQP-13000	110V/220V/240V	50Hz/60Hz	180W	5.2m	13000L/h	10m	305	170	180
CQP-15000	110V/220V/240V	50Hz/60Hz	215W	5.8m	15000L/h	10m	305	170	180
CQP-18000	110V/220V/240V	50Hz/60Hz	315W	6.2m	18000L/h	10m	305	170	180



性能曲线表/FUNCTION CURVES



CFP-8000

产品特点

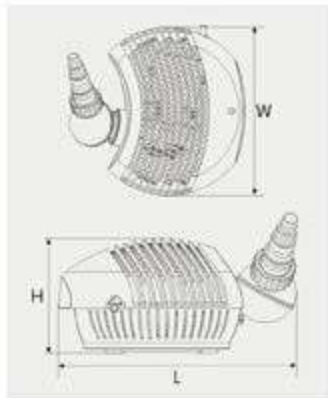
- 离心开式叶轮, 出口可通直径达6mm;
- 采用新型高效异步电机, 节能50%;
- 超大面积过滤网罩设计, 延长维护周期;
- 出水口方向可360° 旋转, 方便安装;
- 适用于地埋的水循环设备配套。

CFP-13000

FEATURES

- Spiral propeller allows the dirt particle size as large as 6mm;
- High performance standard asynchronous motor with new design, and energy saving up to 50% than before.
- The designer of filter screen with oversized area, extend maintenance period.
- The direction of outlet can be rotated 360 degree, easy to fit.
- Apply to ponds, with water recycling equipment matching

型号 (Model)	额定电压 (Voltage)	额定频率 (Frequency)	额定功率 (Power)	最大扬程 (H-max)	最大流量 (Output)	电源线长度 (Cable Length)	外形尺寸 (Dimensions LxWxH)
CFP-8000	110V/220V/240V	50Hz/60Hz	70W	3.2m	8000L/h	10m	310x300x150mm
CFP-9000	110V/220V/240V	50Hz/60Hz	95W	3.6m	9000L/h	10m	310x300x150mm
CFP-10000	110V/220V/240V	50Hz/60Hz	155W	5.0m	10000L/h	10m	310x300x150mm
CFP-13000	110V/220V/240V	50Hz/60Hz	180W	5.2m	13000L/h	10m	353x315x170mm
CFP-15000	110V/220V/240V	50Hz/60Hz	215W	5.8m	15000L/h	10m	353x315x170mm
CFP-18000	110V/220V/240V	50Hz/60Hz	315W	6.2m	18000L/h	10m	353x315x170mm



**园艺泵**  
POND PUMP



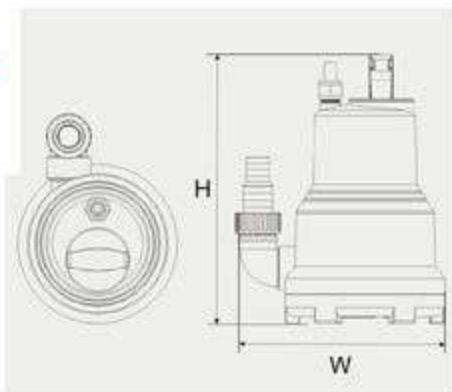
■ CLB-4500

■ CLB-12000P

**SUITABLE FOR WATER SUPPLY & DRAINING OF  
FRESH AND SALT WATER**

**FEATURES**

- The rotor is made of special material, easily-started and low energy consumption;
- High quality ceramic shaft and shaft locator, durable and low noise;
- Completely sealed and water-proof motor, safe and reliable;
- High performance standard asynchronous motor with new design, and energy saving up to 50% than before.
- Water garden, circulate water in rockery, supply and discharge water in swimming pool.
- After draining water, it just leave 5mm depth, which makes drain completely.



型号 (Model)	额定电压 (Voltage)	额定频率 (Frequency)	额定功率 (Power)	最大扬程 (H-max)	最大流量 (Output)	出水口 (Hose Adapter)	电源线长度 (Cable Length)	H mm	W mm
CLB-4500	110V/220V/240V	50Hz/60Hz	80W	3.5m	4500L/h	$\frac{3}{4}$ " - $1\frac{1}{4}$ "	5m	232	185
CLB-5500	110V/220V/240V	50Hz/60Hz	110W	4.2m	5500L/h	$\frac{3}{4}$ " - $1\frac{1}{4}$ "	5m	232	185
CLB-6500	110V/220V/240V	50Hz/60Hz	145W	5.0m	6500L/h	$\frac{3}{4}$ " - $1\frac{1}{4}$ "	5m	232	185
CLB-8000	110V/220V/240V	50Hz/60Hz	175W	6.0m	6000L/h	$\frac{3}{4}$ " - $1\frac{1}{4}$ "	5m	232	185
CLB-12000	110V/220V/240V	50Hz/60Hz	260W	7.0m	12000L/h	1" - 2"	10m	250	222
CLB-15000	110V/220V/240V	50Hz/60Hz	310W	8.0m	15000L/h	1" - 2"	10m	250	222
CLB-12000P	110V/220V/240V	50Hz/60Hz	260W	7.0m	12000L/h	1" - 2"	10m	250	222
CLB-15000P	110V/220V/240V	50Hz/60Hz	310W	8.0m	15000L/h	1" - 2"	10m	250	222



ALL INDIA DISTRIBUTORS  
**AQUASSTAR**  
 NO:5, WEST MADA STREET, KOLATHUR, CHENNAI-600099.

园艺泵  
 POND PUMP

SUITABLE FOR  
 POND FILTERS &  
 FOUNTAINS



■ CQP-10000

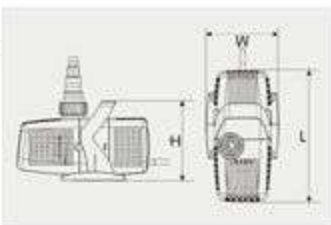
■ CQP-18000



FEATURES

- High performance standard asynchronous motor with new design, and energy saving up to 50% than before.
- High-strength ceramic shaft and wear, long service life.
- It has good waterproof, high dielectric strength, it is safe and reliable.
- You can use it as pumping and filtration fountain.
- Apply to ponds, with water recycling equipment matching.

型号 (Model)	额定电压 (Voltage)	额定频率 (Frequency)	额定功率 (Power)	最大扬程 (H-max)	最大流量 (Output)	电源线长度 (Cable Length)	L (mm)	W (mm)	H (mm)
CQP-8000	110V/220V/240V	50Hz/60Hz	70W	3.2m	8000L/h	10m	275	152	165
CQP-9000	110V/220V/240V	50Hz/60Hz	95W	3.6m	9000L/h	10m	275	152	165
CQP-10000	110V/220V/240V	50Hz/60Hz	155W	5.0m	10000L/h	10m	275	152	165
CQP-13000	110V/220V/240V	50Hz/60Hz	180W	5.2m	13000L/h	10m	305	170	180
CQP-15000	110V/220V/240V	50Hz/60Hz	215W	5.8m	15000L/h	10m	305	170	180
CQP-18000	110V/220V/240V	50Hz/60Hz	315W	6.2m	18000L/h	10m	305	170	180

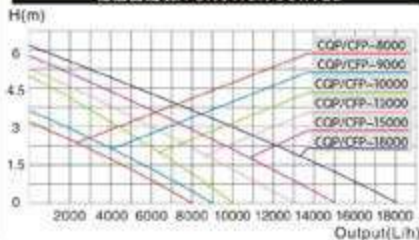


■ CFP-8000



■ CFP-13000

性能曲线表/FUNCTION CURVES



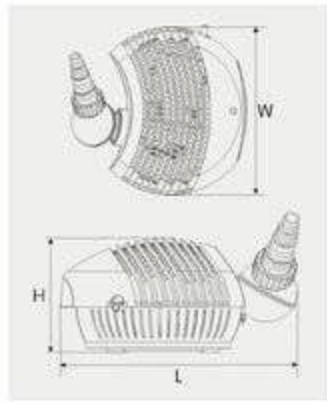
产品特点

- 离心开式设计, 尘粒可通过直径达6mm;
- 采用新型高效异步电机, 节能50%;
- 超大面积过滤网罩设计, 延长维护周期;
- 出水口方向每360° 旋转, 方便安装;
- 适用于池塘的水循环设备配套。

FEATURES

- Spiral propeller allows the dirt particle size as large as 6mm.
- High performance standard asynchronous motor with new design, and energy saving up to 50% than before.
- The designer of filter screen with oversized area, extend maintenance period.
- The direction of outlet can be rotated 360 degree, easy to fix.
- Apply to ponds, with water recycling equipment matching.

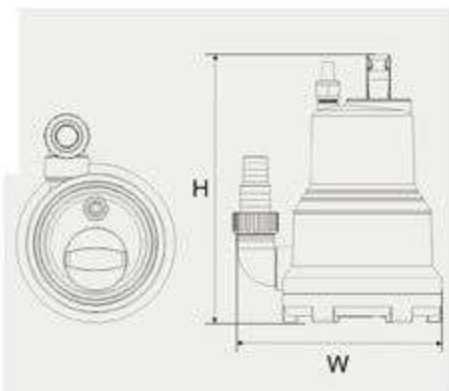
型号 (Model)	额定电压 (Voltage)	额定频率 (Frequency)	额定功率 (Power)	最大扬程 (H-max)	最大流量 (Output)	电源线长度 (Cable Length)	外形尺寸 (Dimensions LxWxH)
CFP-8000	110V/220V/240V	50Hz/60Hz	70W	3.2m	8000L/h	10m	310x300x150mm
CFP-9000	110V/220V/240V	50Hz/60Hz	95W	3.6m	9000L/h	10m	310x300x150mm
CFP-10000	110V/220V/240V	50Hz/60Hz	155W	5.0m	10000L/h	10m	310x300x150mm
CFP-13000	110V/220V/240V	50Hz/60Hz	180W	5.2m	13000L/h	10m	353x315x170mm
CFP-15000	110V/220V/240V	50Hz/60Hz	215W	5.8m	15000L/h	10m	353x315x170mm
CFP-18000	110V/220V/240V	50Hz/60Hz	315W	6.2m	18000L/h	10m	353x315x170mm



**园艺泵**  
**POND PUMP**

**CLB-4500**
**CLB-12000P**
**SUITABLE FOR WATER SUPPLY & DRAINING OF**  
**FRESH AND SALT WATER**
**FEATURES**

- The rotor is made of special material, easily-started and low energy consumption;
- High quality ceramic shaft and shaft locator, durable and low noise;
- Completely sealed and water-proof motor, safe and reliable;
- High performance standard asynchronous motor with new design, and energy saving up to 50% than before.
- Water garden, circulate water in rocky, supply and discharge water in swimming pool.
- After drawing water, it just leave 5mm depth, which makes drain completely.



型号 (Model)	额定电压 (Voltage)	额定频率 (Frequency)	额定功率 (Power)	最大扬程 (H-max)	最大流量 (Output)	出水口 (Hose Adapter)	电源线长度 (Cable Length)	H (mm)	W (mm)
CLB-4500	110V/220V/240V	50Hz/60Hz	60W	3.5m	4500L/h	$\frac{3}{4}$ "- $1\frac{1}{4}$ "	5m	232	185
CLB-5500	110V/220V/240V	50Hz/60Hz	110W	4.2m	5500L/h	$\frac{3}{4}$ "- $1\frac{1}{4}$ "	5m	232	185
CLB-6500	110V/220V/240V	50Hz/60Hz	145W	5.0m	6500L/h	$\frac{3}{4}$ "- $1\frac{1}{4}$ "	5m	232	185
CLB-8000	110V/220V/240V	50Hz/60Hz	175W	6.0m	6000L/h	$\frac{3}{4}$ "- $1\frac{1}{4}$ "	5m	232	185
CLB-12000	110V/220V/240V	50Hz/60Hz	260W	7.0m	12000L/h	1"-2"	10m	250	222
CLB-15000	110V/220V/240V	50Hz/60Hz	310W	8.0m	15000L/h	1"-2"	10m	250	222
CLB-12000P	110V/220V/240V	50Hz/60Hz	260W	7.0m	12000L/h	1"-2"	10m	250	222
CLB-15000P	110V/220V/240V	50Hz/60Hz	310W	8.0m	15000L/h	1"-2"	10m	250	222